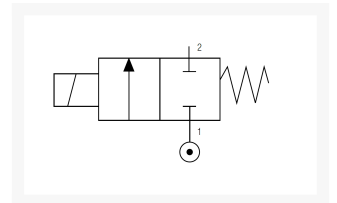


MESS. NC 2/2 VENT G1/8 Ø2.5 FKM

Product Images



Omschrijving

De 01F 2/2 ventielen van [Aignep](#) met een FKM afdichting zijn geschikt voor Minerale oliën, benzine, gasolie en stookolie.

- Maximale werkdruk: 40 bar
- Minimale werktemperatuur: -10°C
- Maximale werktemperatuur: +140°C
- **LET OP! Spoel niet inbegrepen. Zie gerelateerde producten (rechts)**

Opbouw artikelnummer

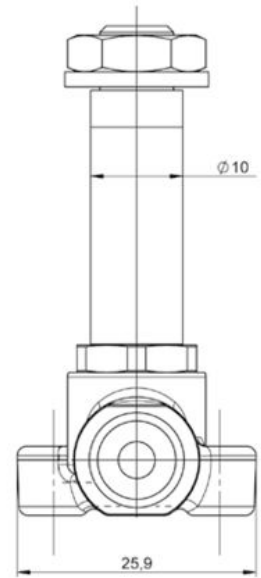
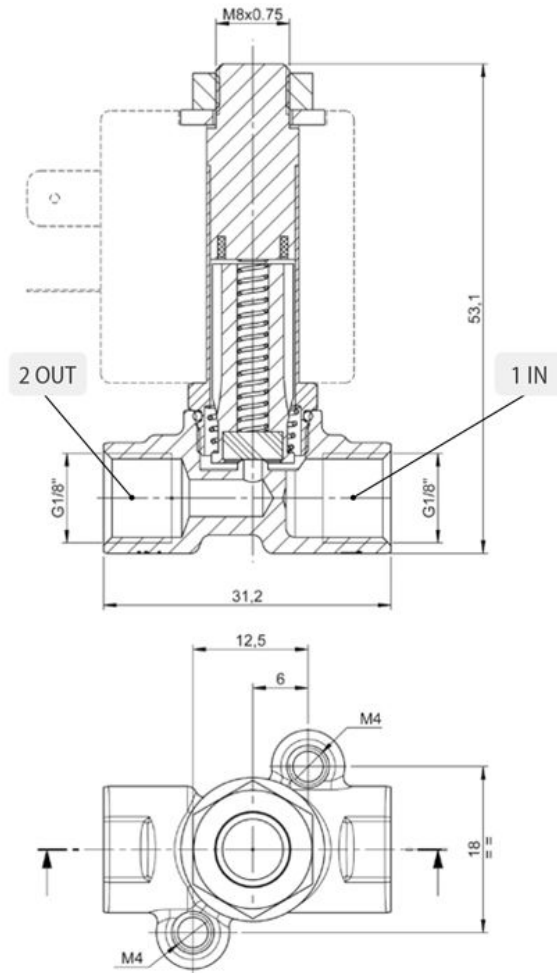
| SERIE | GROOTTE | FUNCTIE | DOORLAAT | MATERIAAL AFDICHTING | |
|-------|----------------------------------|--|--|--------------------------------|---|
| 01F | 03 | 1 | 04 | N | 0 |
| | 03 = 1/4 04 = 3/8 05 = 1/2 | 1 = 2/2 NC 2 = 2/2 NO 3 = 3/2 NC 4 = 3/2 NO | 15 = 1,5 mm 02 = 2 mm 25 = 2,5 mm 03 = 3 mm 04 = 4 mm 05 = 5 mm | N = NBR E = EPDM V = FKM | |

Afmetingen

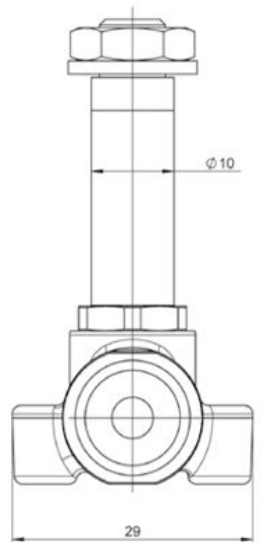
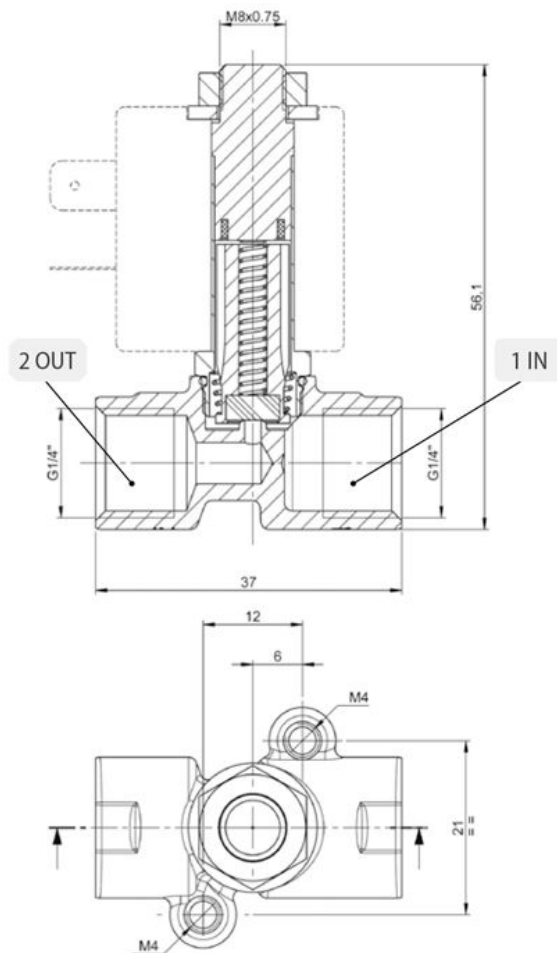
NC



1/8



1/4



2/2 NC

| Artikelnummer | Afdichting | Draadmaat | Ø mm | Viscositeit | Kv m ³ /h | Vermogen | | ΔP bar | |
|------------------------|------------|-----------|------|-------------|-------------------------|----------|----------|--------|------|
| | | | | | | DC W | AC VA | min | max |
| | | ISO228 | | Max cSt | | | | | |
| 01F 02 1 15 N 0 | NBR | 1/8" | 1,5 | 25 | 0.06 | 6.5 | - | 0 | 21.1 |
| 01F 02 1 15 V 0 | FKM | | | | | 8 | - | 0 | 40 |
| | | | | | | - | 7.5 | 0 | 26 |
| 01F 02 1 15 E 0 | EPDM | | | | | - | 11 | 0 | 40 |
| 01F 02 1 02 N 0 | NBR | 1/8" | 2 | 37 | 0.09 | 6.5 | - | 0 | 11 |
| 01F 02 1 02 V 0 | FKM | | | | | 8 | - | 0 | 28.7 |
| | | | | | | - | 7.5 | 0 | 13.6 |
| 01F 02 1 02 E 0 | EPDM | | | | | - | 11 | 0 | 32.3 |
| 01F 02 1 25 N 0 | NBR | 1/8" | 2.5 | 53 | 0.15 | 6.5 | - | 0 | 3.7 |
| 01F 02 1 25 V 0 | FKM | | | | | 8 | - | 0 | 11 |
| | | | | | | - | 7.5 | 0 | 6.1 |
| 01F 02 1 25 E 0 | EPDM | | | | | - | 11 | 0 | 16.4 |
| 01F 02 1 03 N 0 | NBR | 1/8" | 3 | 53 | 0.20 | 6.5 | - | 0 | 1.7 |
| 01F 02 1 03 V 0 | FKM | | | | | 8 | - | 0 | 6.2 |
| | | | | | | - | 7.5 | 0 | 3.6 |
| 01F 02 1 03 E 0 | EPDM | | | | | - | 11 | 0 | 9.8 |
| 01F 02 1 04 N 0 | NBR | 1/8" | 4 | 53 | 0.30 | 6.5 | - | 0 | 1.0 |
| 01F 02 1 04 V 0 | FKM | | | | | 8 | - | 0 | 2.2 |
| | | | | | | - | 7.5 | 0 | 1.4 |
| 01F 02 1 04 E 0 | EPDM | | | | | - | 11 | 0 | 4.6 |
| 01F 03 1 15 N 0 | NBR | 1/4" | 1,5 | 25 | 0.06 | 6.5 | - | 0 | 21.1 |
| 01F 03 1 15 V 0 | FKM | | | | | 8 | - | 0 | 40 |
| | | | | | | - | 7.5 | 0 | 26 |
| 01F 03 1 15 E 0 | EPDM | | | | | - | 11 | 0 | 40 |

| | | | | | | | | | |
|------------------------|------|------|-----|----|------|-----|----|------|------|
| 01F 03 1 02 N 0 | NBR | | | | | 6.5 | - | 0 | 11 |
| 01F 03 1 02 V 0 | FKM | 1/4" | 2 | 37 | 0.09 | 8 | - | 0 | 28.7 |
| | - | | | | | 7.5 | 0 | 13.6 | |
| 01F 03 1 02 E 0 | EPDM | | | | | - | 11 | 0 | 32.3 |
| 01F 03 1 25 N 0 | NBR | | | | | 6.5 | - | 0 | 3.7 |
| 01F 03 1 25 V 0 | FKM | 1/4" | 2.5 | 53 | 0.15 | 8 | - | 0 | 11 |
| | - | | | | | 7.5 | 0 | 6.1 | |
| 01F 03 1 25 E 0 | EPDM | | | | | - | 11 | 0 | 16.4 |
| 01F 03 1 03 N 0 | NBR | | | | | 6.5 | - | 0 | 1.7 |
| 01F 03 1 03 V 0 | FKM | 1/4" | 3 | 53 | 0.20 | 8 | - | 0 | 6.2 |
| | - | | | | | 7.5 | 0 | 3.6 | |
| 01F 03 1 03 E 0 | EPDM | | | | | - | 11 | 0 | 9.8 |
| 01F 03 1 04 N 0 | NBR | | | | | 6.5 | - | 0 | 1.0 |
| 01F 03 1 04 V 0 | FKM | 1/4" | 4 | 53 | 0.30 | 8 | - | 0 | 2.2 |
| | - | | | | | 7.5 | 0 | 1.4 | |
| 01F 03 1 04 E 0 | EPDM | | | | | - | 11 | 0 | 4.6 |

Additional Information

| | |
|---------------|------------------------------|
| EAN Code | 8719426405635 |
| Artikelnummer | 01F02125V0 |
| Omschrijving | NC 2/2 FKM, doorlaat Ø2,5 mm |