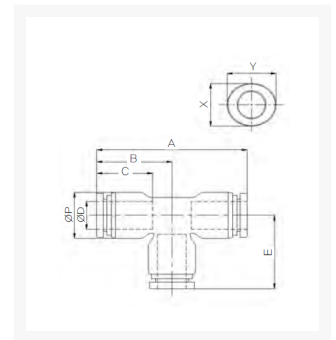
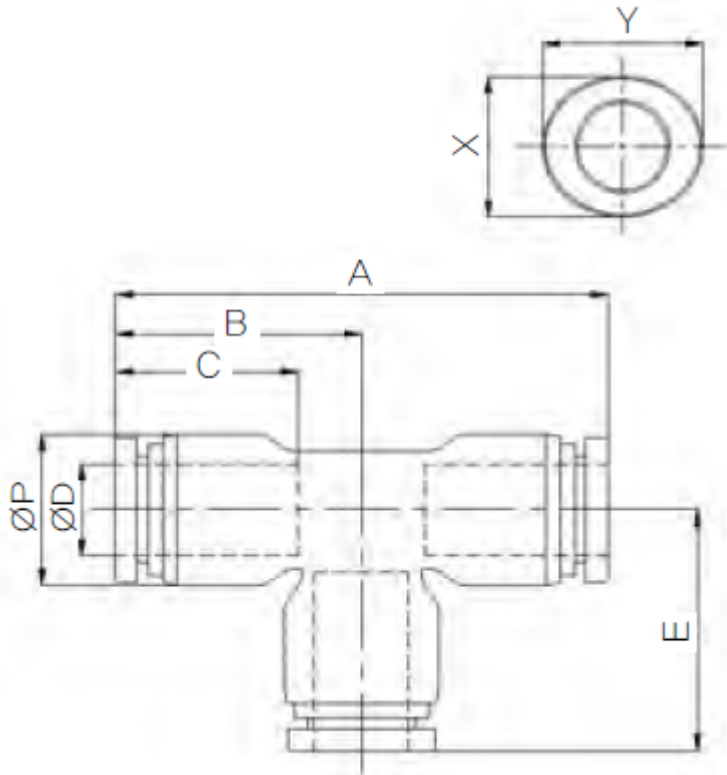


T- PUSH-IN FITTING Ø10 RVS316

Product Images



Afmetingen



MODEL	ØD	ØP	A	B	C	E	X	Y
F-PUT 04	4	10	44	22	14.9	22	8.6	10.5
F-PUT 06	6	13	46.5	23.25	15.75	23.25	11	12.5
F-PUT 08	8	14	49.4	24.7	17.75	24.7	13	14.5
F-PUT 10	10	16.7	53.4	26.7	19.8	26.7	16	17.5
F-PUT 12	12	19.7	58.6	29.3	22.4	29.3	19.5	21.5

Additional Information

EAN Code	8719426569740
Artikelnummer	FPUT10
Fabrikant	Sang-A
Model	T-verbinding
Diameter 1	10mm
Materiaal	RVS 1.4401 (316)